

**LED Series**

**KLS9-L Infrared Emitting Diode Series**

**KLS9 - L - 501 3 G D - XXX**

1            2            3            4            5            6            7

1. Brand: KLS ELECTRONIC

2. Digit Mode: L-Lamp

3. Package Type (style):

4. Leads Type:

0: Surface Mounting Lead for SMD

2: 18mm Lead Length Standard

4: 25.4mm Lead Length with small Reflector

7: 25.4mm Lead Length with 2 Leads for bi-color

1: 20mm Lead Length with Stand-off

3: 25.4mm Lead Length with big Reflector

5: 25.4mm Lead Length with 3 Leads for bi-color

9: 25.4mm Lead Length with 3 Leads for bi-color

5. Color Code:

H: Red	GaP / GaP	700nm	UG: High Bright Green	AlGaInP 574nm
S: High Bright Red	GaAlAs / GaAs	SH 660nm	PG: Super Pure Green	AlGaInP 525nm
D: Super Bright Red	GaAlAs / GaAs	DH 660nm	BG: Super Bluish Green	AlGaInP 505nm
UR: Ultra Bright Red	GaAlAs / GaAlAs	DDH 660nm	B: Blue GaN / SiC	430nm
UHR: Ultra Bright Red	AlGaInP	640nm	UB: Super Bright Blue	InGaN / SiC 470nm
E: Orange	GaAsP / GaP	635nm	V: UV	InGaN / SiC405nm
UE: High Bright Orange	AlGaInP	630nm	W: White	
Y: Yellow	GaAsP / GaP	585nm	EG: Orange + Green Bi-Color	
UY: High Bright Yellow	AlGaInP	590nm	SG: High Red + Green Bi-Color	
G: Green	GaP / GaP	568nm	RGB: Multicolor	

6. Len Color: D: Color Diffused      T: Color Transparent      C: Water Clear      W: White Diffused

CD: Color Top Diffused      WD: White Top Diffused      E: Orange Diffused

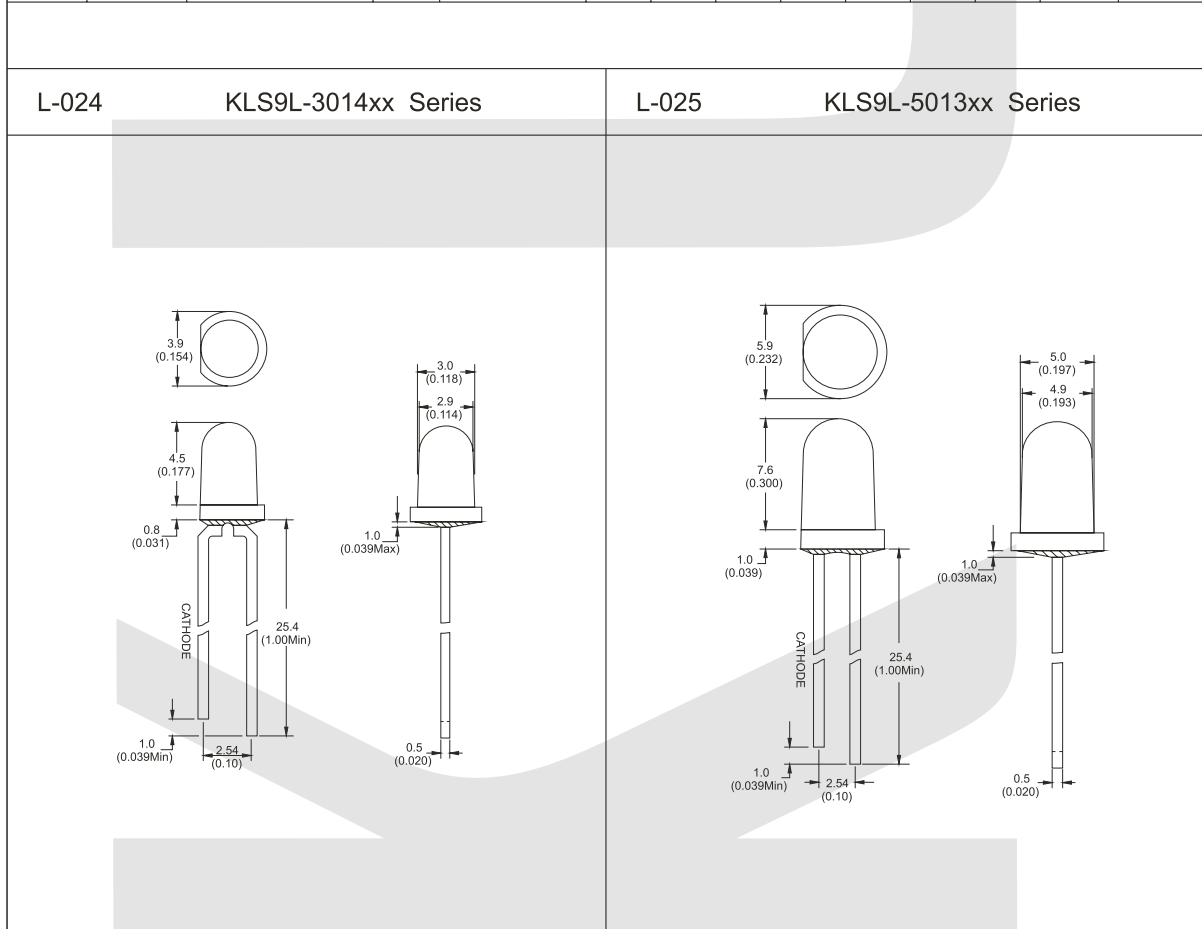
7. Special Operation & Other:

**LED Series**

**KLS9-L Infrared Emitting Diode Series**



Package	Part No. KLS9L-	Chip		Lens Appearance	Absolute Maximum Ratings				Electro-optical Data(At 50mA)			Viewing Angle 2θ1/2 (deg)	Drawing No.
		Material/Emitted Color	Peak Wave Length λp (nm)		Δλ (nm)	Pd (mw)	If (mA)	Peak (mA)	Vf(V)		Radiant Power (mw/sr) Typ		
									Typ	Max			
T-1 Standard 1.0" Lead φ 3	3014IRAC	GaAs/GaAs	940	Water clear	50	150	50	250	1.40	1.60	25	40	L-024
	3014IRAB	GaAs/GaAs	940	Blue trans	50	150	50	250	1.40	1.60	25		
	3014IRBC	GaAlAs/GaAlAs	880	Water clear	50	150	50	250	1.70	2.00	25		
	3014IRBB	GaAlAs/GaAlAs	880	Blue trans	50	150	50	250	1.70	2.00	25		
	3014IRCC	GaAlAs/GaAlAs	850	Water clear	50	150	50	250	1.70	2.00	45		
	3014IRCB	GaAlAs/GaAlAs	850	Blue trans	50	150	50	250	1.70	2.00	45		
T-1 3/4 Standard 1.0" Lead φ 5	5013IRAC	GaAs/GaAs	940	Water clear	50	150	50	250	1.40	1.60	30	30	L-025
	5013IRAB	GaAs/GaAs	940	Blue trans	50	150	50	250	1.40	1.60	30		
	5013IRBC	GaAlAs/GaAlAs	880	Water clear	50	150	50	250	1.70	2.00	30		
	5013IRBB	GaAlAs/GaAlAs	880	Blue trans	50	150	50	250	1.70	2.00	30		
	5013IRCC	GaAlAs/GaAlAs	850	Water clear	50	150	50	250	1.70	2.00	50		
	5013IRCB	GaAlAs/GaAlAs	850	Blue trans	50	150	50	250	1.70	2.00	50		



All specification & dimensions are subject to change, please call your nearest KLS sales representative for update information